

steam shower

Davenport 900

900mm x 900mm x 2190mm

The Davenport is a compact steam shower. Packed with all the same great features of the Davenport 800 and 950 variants, but in a size that makes it ideal for small bathrooms and en-suites. Features include: monsoon rain shower, hand shower and back jets. The Davenport has a white Halo LED roof light, and interior LED lights too, FM Radio with MP3 input and electronic control pad. The back inside walls of the cabin are darkened mirrored glass with clear front glass and has a glass shelf inside. The Davenport also has a seat, which flips up out of the way when not in use.

Multi function hand shower
6 hydro massage body jets
Monsoon rain shower
Electronic control pad
FM Radio with CD/MP3 input
Powerful steam generator

Circulation fan
White, LED 'Halo' ring light
Ozone sterilization
Remote control
Glass shelf
Clear 5mm safety glass

RRP: **£1449.99**

For more information on this model and to find your nearest AquaLusso stockist, please visit our website.

This steam shower requires between 1 and 3 bar of water pressure and can be supplied from a combi boiler, pressurised system etc. For gravity fed or low pressure, installing a twin impellor pump is recommended. Where water pressures are not balanced (of equal pressure) fitting a Pressure Equalising Valve is required to protect the Thermostatic Valve

from damage. Our showers are designed to be freestanding, water should be made available to the shower into the corner (if corner fitting) or central at the back (if the shower fits against one wall) and be fed to a point approximately 1mtr from the floor and finished ready for 15mm compression fittings.

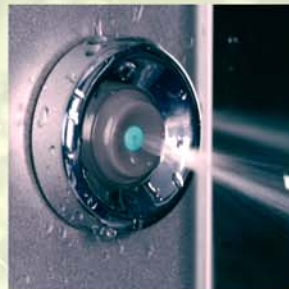
A single 13 amp fused spur is required to provide electricity to the shower. The shower is supplied with an RCD fitted for your safety.

AquaLusso showers are supplied ready to build. All boxes are able to enter through regular doorway openings, details of carton sizes are available on our website. Please also consider access for the boxes up and round stairwells etc.

Electronic Control Pad. Using the control pad fitted in your steam shower you can easily adjust the steam timer and temperature as well as tune the Radio, switch on the lights, ozone and circulation fan.



The Davenport is also available in 800mm and 950mm options.



AquaLusso
a passion for showers

email: enquiries@aqualusso.co.uk
web: www.aqualusso.co.uk

5 year
WARRANTY

buyers guide

Buying a Steam Shower is certainly a substantial purchase and with the vast amount of models, makes and offers available on the Internet and elsewhere, the old saying "you get what you pay for" has never been more true.

And that's just not in the quality of the product supplied, but also in the level of reliability, service, after sales support and the availability of spare parts, should there ever be a problem in the future.



Whilst price is likely to be at the forefront of many people's thinking when making a Steam Shower purchase, all these other important factors should be duly considered, to ensure you receive the best in terms of both product value and service.

AquaLusso showers are a quality made product at a very competitive price. Each model has been carefully selected for quality, price and functionality and we constantly seek to expand and improve the range. The AquaLusso shower range has been available in the UK since 2005, and are available from bathroom and plumbing showrooms and throughout the country as well as online.

So although at first glance a particular steam shower may appear good value, do ensure and check that the following is also offered:

High specification quality product (value for money).

Comprehensive Fitting and operational instruction manuals.

Technical Support Line - for direct advice on installations.

After Sales Service.

Spare Parts Availability.

Warranty.

Manufacturing Specification

GLASS: All AquaLusso Steam Showers comply with ISO 9001, CE and are fitted with tempered safety glass of between 5-6mm in thickness and have passed the necessary testing to ensure that in instances where the glass should break, this will simply shatter into very small pieces with no sharp edges.

The back panels of the shower cabins are made of mirrored, tempered glass that has also undergone the same tests.

FRAMES: The frames on AquaLusso Steam Showers are manufactured in 1.2mm aluminium, which provides excellent structural support, stability and finish. On cheaper models, frames can be plastic and sprayed to look like aluminium and thus not as sturdy or long lasting.

TUB/BASE:

All AquaLusso shower tub bases and steam whirlpool cabins, are fitted with a fully supporting, steel framework bonded to the tub, which affords both a stable footing and assists in offering overall structural stability.

Do be aware that if a shower base is not supported on a steel frame, it can have a tendency to flex, leading to cracking of the base or unbalancing the occupant(s) whilst in use.

In general, we would always recommend your Steam Shower be installed by a professional plumber or installer.

Ask your retailer if they offer an installation service; as many do, alternatively they may be able to provide you with details of a competent fitter who has built an AquaLusso shower before.



AquaLusso
a passion for showers

email: enquiries@aqualusso.co.uk
web: www.aqualusso.co.uk

buyers guide

If you have some knowledge and familiarity with the water supply to your property, the information below should be sufficient for you to determine what your individual plumbing requirements are likely to be. If this is a subject totally alien to you, the information should at least enable you to discuss this with a plumber or installer, with some degree of confidence.

CONNECTIONS: All AquaLusso Steam Showers are designed to be free standing product that are connected in much the same way as a washing machine or dishwasher. Connections for hot and cold water, and power are at the back of the shower. On AquaLusso steam showers, depending on the model and size, the water connects at the diverter which is positioned about 1.3m from the floor at the rear.

Each shower comes supplied with hoses of approximately 1m length for both hot and cold water feeds. The 13a power supply is typically located under the base and has a cable approximately 1.5m in length.

WATER PRESSURE: All our showers require between 1 and 3 bar of water pressure to function successfully. For optimum results, 2-3 bar is recommended and with AquaLusso steam shower cabins, a flow rate of at least 7.5 litres per minute is required and the water supply to the shower, must also be balanced. Be aware that steam showers do not have independent means of heating water for showering - this comes direct from your existing hot water installation.

WATER SUPPLY: If you already have a modern Combi Boiler fitted, this will be fine because most will output water at between 1 - 3 bar of pressure. However, because they typically use mains pressure cold water, you must have a Pressure Equalising Valve (PEV) fitted, to ensure that water pressures to the shower, are always balanced. These are available from most plumbers merchants and should cost around £80 (*price correct Jan 2010*).

If you have a Gravity fed hot water system, this alone may not produce sufficient pressure and water flow to the shower. Although this can be easily overcome, it is an important issue when considering your shower purchase. In these circumstances, we would recommend the fitting of a Twin Impeller Pump, so that the hot and cold water are supplied to the shower at a higher and equal pressure. Shower pumps can also be obtained from all good plumbing merchants.

We would recommend a good quality pump that offers a long, quiet and trouble free service life and that is rated up to 3bar pressure. Exceeding this may cause damage to the shower. Always have your shower pump fitted by a qualified installer, who can ensure it is suitable for the job, is installed in the correct location and is fully commissioned and tested.

AquaLusso would recommend Salamander Shower pumps. Salamander are perhaps the UK's most recognised brand supplier of pumps. Their reputation for quality or workmanship, advanced technological skills, quiet and safe operation make them the name to trust.

HOSES: All quality steam showers have internal piping included. All AquaLusso models, have a flexible waste pipe located underneath the tub/base which must then have an 'inline trap' fitted to it, available from all plumbers merchants and DIY stores or from your installer.

The pipes to supply the various services on the shower are all connected to the back of the shower in the central diverter block assembly. These will all be labelled as to which service they should be connected to; foot massage, hand shower, steam generator etc, and all have 15mm fittings.

ELECTRICITY: AquaLusso steam showers require a 13amp power supply. All our steam showers come ready supplied with a cable approximately 1.5m in length, which is typically found under the base. AquaLusso recommend that the electricity is connected via an isolated fused spur in accordance with current Electrical Regulations.

Our showers are supplied with an RCD (Residual Circuit Device) fitted. This safety feature offers you protection in case of a fault with the electricity supply; electrical spike, electricity storm or short. If your Consumer unit (mains electricity board) has a built in RCD, then you should remove the one fitted to the shower as two RCD's together often false trip each other. The power is converted within the shower to operate the lighting and radio etc to a safe 12 volts. In general, LED lights in a steam showers should all be low voltage. In AquaLusso showers, there are 2 lighting circuits, one for the ceiling light/s, and one for the low voltage LED lights.



Pressure Equalising Valve (PEV)

AquaLusso
a passion for showers

email: enquiries@aqualusso.co.uk
web: www.aqualusso.co.uk

installation guide

DELIVERY

Your shower will arrive on a pallet and is delivered on a large tail-lift lorry. **You must notify us upon placing your order of any restrictions that may affect the access of a large lorry to your property** (weight limits, bridges etc) this will allow us to arrange a smaller vehicle for your delivery. You will need to ensure you have a place to unpack the pallet or store it safely upon its arrival - a garage is ideal.

ON ARRIVAL

Please check your delivery and report any damages to us within **48 hours**, so we can arrange replacement parts for you and issue a claim to the delivery company (notification beyond 48hrs WILL incur charges for the delivery of your replacement parts).

ELECTRICAL REQUIREMENTS

Our steam shower cabins require 1 x 13amp electrical connection. Steam shower and Whirlpool Cabins require 2 x 13amp electrical connections. Whirlpool baths require 1 x 13amp electrical connection.

Connection to the main electricity supply should be made via an isolated fused spur wired back to your consumer unit with a fitted RCD in the consumer unit. The cabin arrives with a standard 3 pin socket and inline RCD used for testing during manufacture. The Plug and RCD should be removed.

WATER REQUIREMENTS

Your shower cabin requires a separate hot and cold water supply of between 1 -3 bar of pressure. The **water pressures MUST be balanced** (the same pressure on both supplies). Failure to have balanced water pressures will result in damage to the Thermostatic Cassette.

The pipework should be recessed to allow the cabin to fit flush to the wall. The connections for the water are at the rear of the cabin at a location corresponding into the control panel. Positioning of your water connections should be between 120 - 150 cm from the floor.

Our Steam Showers and Whirlpool baths are able to be run from:

1. Combi Boilers
2. Pressurised Pumps
3. Pressurised Cylinders

Where the water supply is gravity fed or the pressure is not adequate, we recommend you install a Pump to increase water pressure/flow.

FLOOR AND WALL PREPARATION

It is recommended that you prepare your walls and floor prior to installation of your cabin. The cabins are either acrylic backed or mirrored glass, so you may choose not to fully tile the walls behind. **The floor must be smooth and level.** Tongue and grooved floorboards, carpet and vinyl's are not recommended as they will not allow the cabin to be moved freely over the surface.

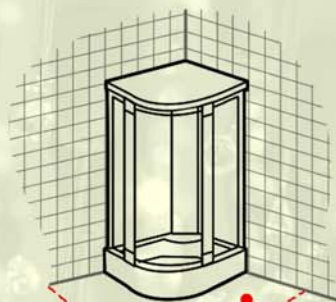
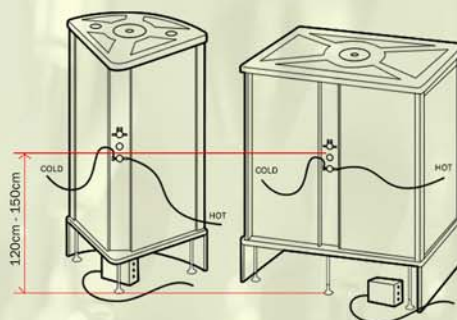
SPACE AND ACCESSIBILITY

When choosing your new steam shower cabin, bear in mind that some of our cabins have large tub bases. Ensure that you have enough space to store the cabin safely (especially the glass) until it is to be fitted.

Check you are able to get the packages and contents to the bathroom or room the shower is to be installed in with ease (consider especially stairways and narrow hallways)

During the assembly process and for servicing after installation you will need to ensure you can slide the cabin away from the wall/corner to move around the cabin as required. The cabins have long flexible hoses to allow it to remain connected for both water and waste for this purpose. **DO NOT POSITION SINKS, TOILETS ETC THAT WILL RESTRICT ACCESS BEHIND THE CABIN.**

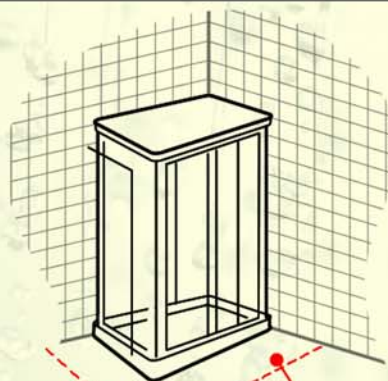
This guide gives a brief overview of the main requirements of most AquaLusso steam showers, shower cabins and whirlpool baths. If you have any further questions please contact us.



Allow a MINIMUM of 40cm space all around the cabin for both assembly and service access after the cabin is installed.

The floor should be fully tiled (including under the cabin) or similar surface that would allow the cabin to be slid away from the wall.

Fitting a Pressure Equalising Valve will ensure constant equal water pressure. Getting your plumber to fit a PEV costing about £79 to your water supply will ensure that no matter what happens to your water pressures up to the valve, the valve will equalise the water and provide balanced pressures out. This means your steam shower or whirlpool will operate as it should and protect your thermostatic cassette. If you have a twin impellor pump there is no need to fit a PEV as the water will be balanced by the pump.



Allow a MINIMUM of 40cm space all around the cabin for both assembly and service access after the cabin is installed.

The floor should be fully tiled (including under the cabin) or similar surface that would allow the cabin to be slid away from the wall.

NOTE: All our steam shower cabins and whirlpools are designed to be **FREESTANDING**. The water and waste connections are designed to be long enough to allow the unit to be built away from the wall or corner both for assembly and to allow service access after installation.

AquaLusso
a passion for showers

email: enquiries@aqualusso.co.uk
web: www.aqualusso.co.uk