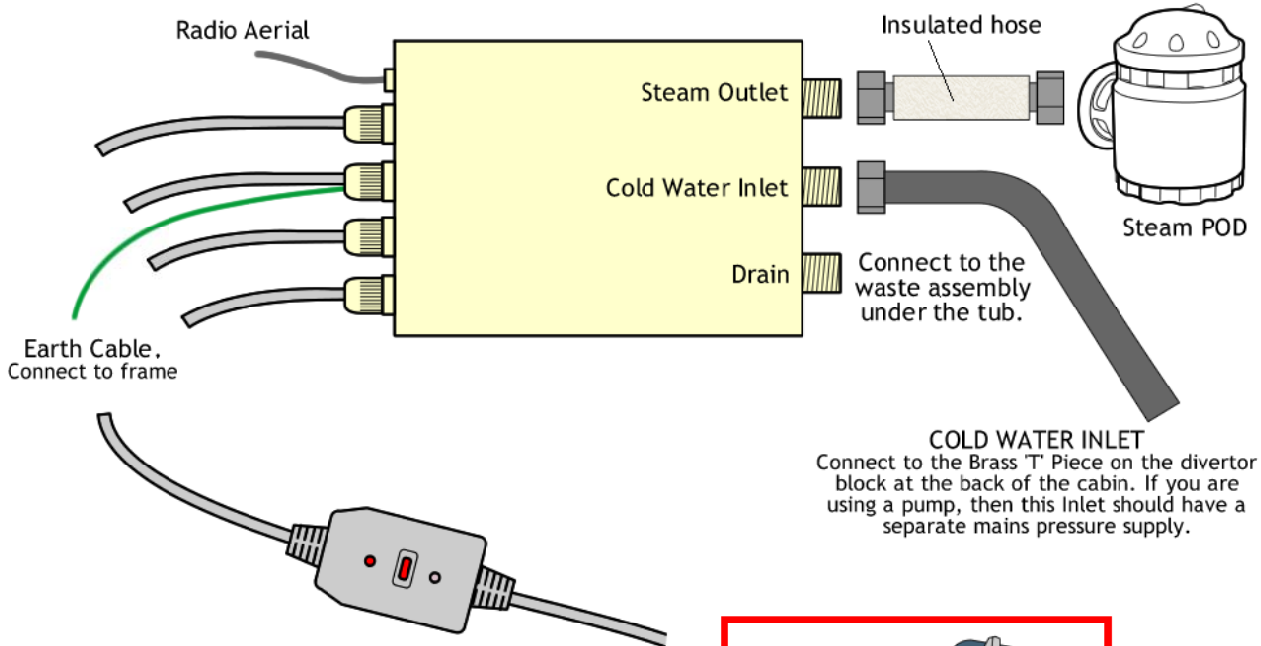
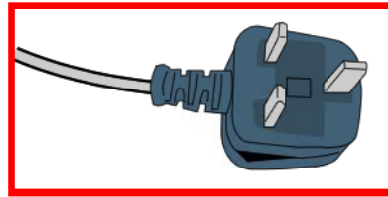


Steam Shower connections explained



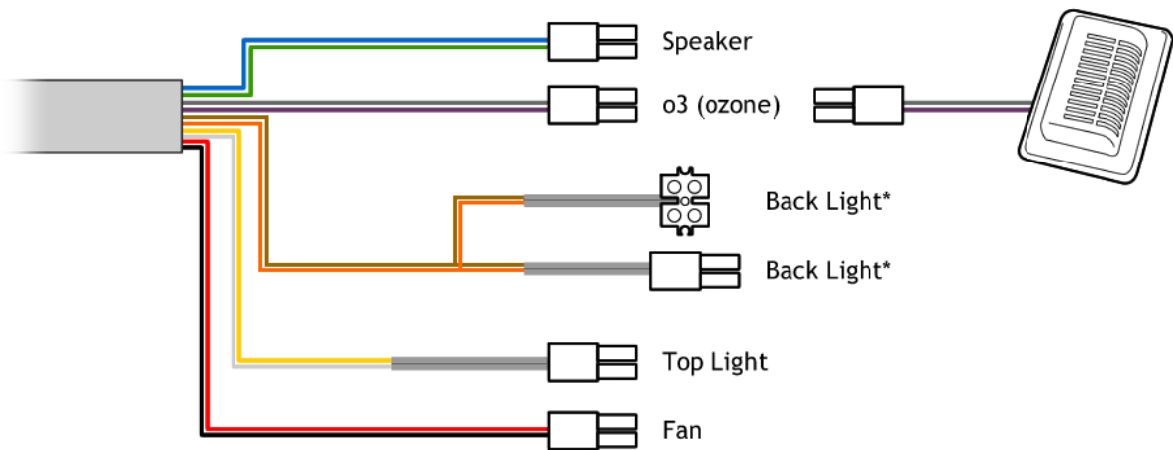
The RCD may be removed if your property is protected by an RCD on your consumer unit.

REMOVAL OF THE PLUG AND RCD DOES NOT AFFECT YOUR WARRANTY



REMOVE PLUG after testing and instal the shower via an ISOLATED FUSED SPUR.

DANGER! NEVER INSTALL THE SHOWER WITH A PLUG & SOCKET IN YOUR BATHROOM



Back Light*

Back lights refers to the Blue/White LED lights located above the control pad. Some models, such as the 8004, 8002 have additional LED lights on the outer pillars. If you have these additional LED lights then you will need to join the wires from the outer pillars together into the terminal/chocolate block.